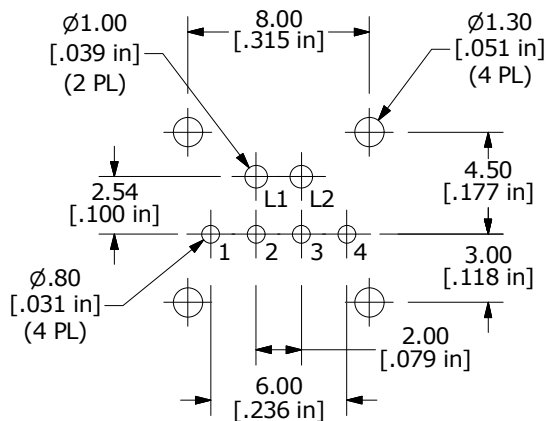
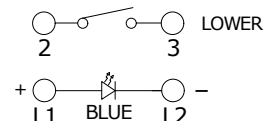


LED SPECS	UNITS	NO LED	BLUE
FORWARD CURRENT	mA	-	20
FORWARD VOLATGE	V	-	3.3 TYP - 4.0 MAX
LUMINOUS INTENSITY 20mA	mcd	-	1000 TYP

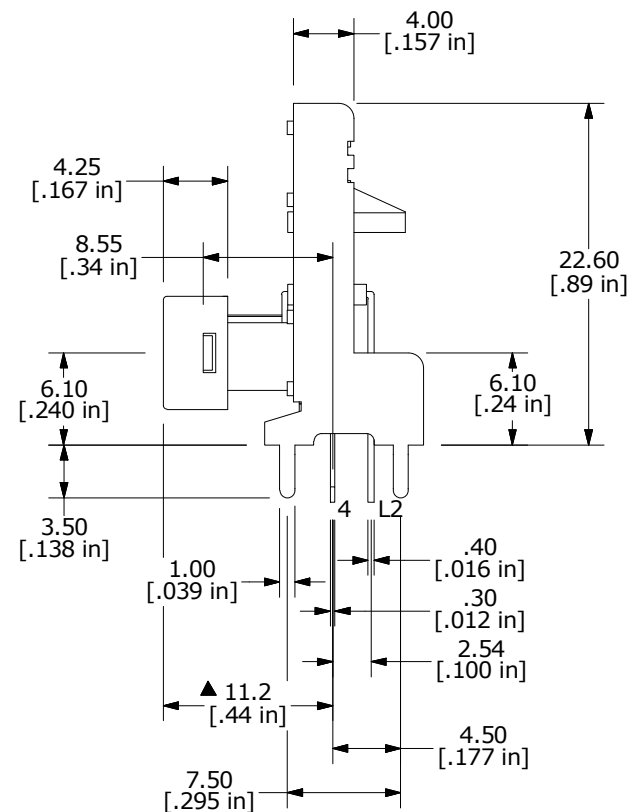
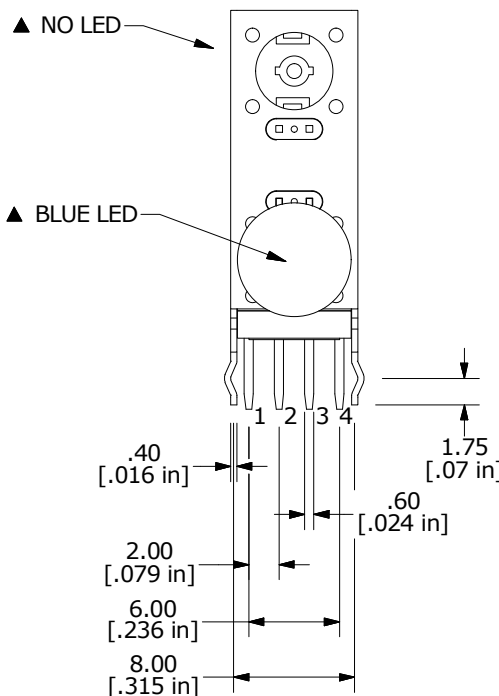
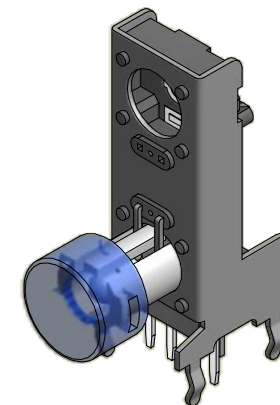
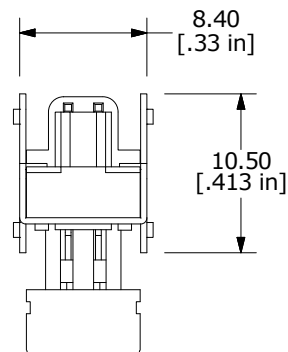


RECOMMENDED PCB LAYOUT



CIRCUIT DIAGRAM

- NOTES:
- ALL DIMENSIONS IN MM
 - GENERAL TOLERANCE: X.X = ±0.4
X.XX = ±0.25
 - TERM. NOS. FOR REFERENCE ONLY.
 - CONTACT RATING: 50mA @12VDC
 - TRAVEL: 0.25 ±0.1mm
 - CONTACT RESISTANCE: 100 Milli-Ohms Max.
 - OPERATING FORCE: 160 ± 50gf
 - CONTACT MATERIAL: SILVER
 - MECHANICAL LIFE: 500,000 CYCLES
 - OPERATING TEMP: -40°C to 85°C
 - ▲ DENOTES CRITICAL PARAMETER.
 - PACKAGE: TRAY/ 84 PIECES PER
 - 2011/65/EU (ROHS) COMPLIANT



REV	PCR NO	DESCRIPTION	DATE	BY
B	22836	CHANGE TITLE TO TL3253NNNBBBF160Q	5/3/17	MW
A	22743	RELEASE FOR PRODUCTION	3/13/17	MW

TITLE TL3253NNNBBBF160Q				
SCALE	DATE	DR	DWG	REV
2:1	3/8/2017	MW	B060018	B